

ROHEVEL-FLS31

Vibrating fork type level sensor for liquid or solid



Application

The vibrating fork type level sensor is used for level detection in silos, tanks and bunkers, both limit detection and point level measurement. These instruments are typically used in all industry and are capable of measuring liquid and solid powder.

Features and benefit

- Suitable for various kinds of applications
- Without moving parts
- Good capacity of anti-interference
- With self-checking function and LED real time display
- Quick response

Function

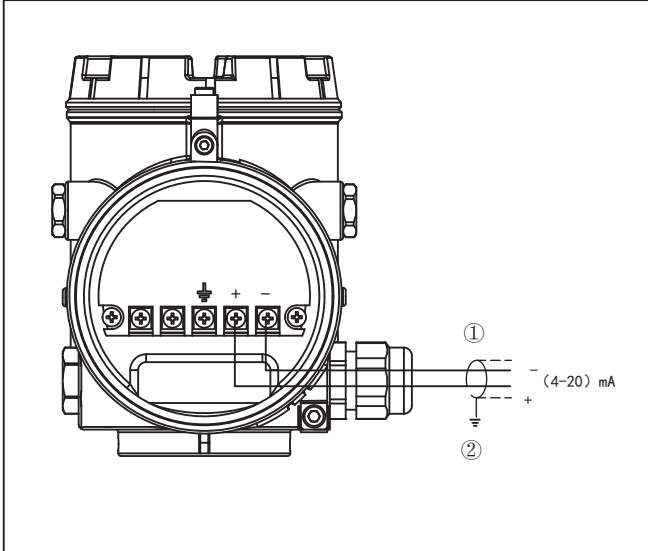
The vibrating fork type level sensor works on the principle of turning forks. There is a piece of ceramic crystals located inside the forks. On the applications of voltage the crystal isolated as neutral frequency of fork ssembly. This frequency is continue with the monitor by the internal electronic circuitry .When the fork comes in contact with liquid or solid material. The frequency will change and this change of frequency is sensed by the electronic circuit and send out signal. This signal is processed to give out a relay output either normally open and normally closed signal which in turn indicate level signal low or high depends on application .

Technical data

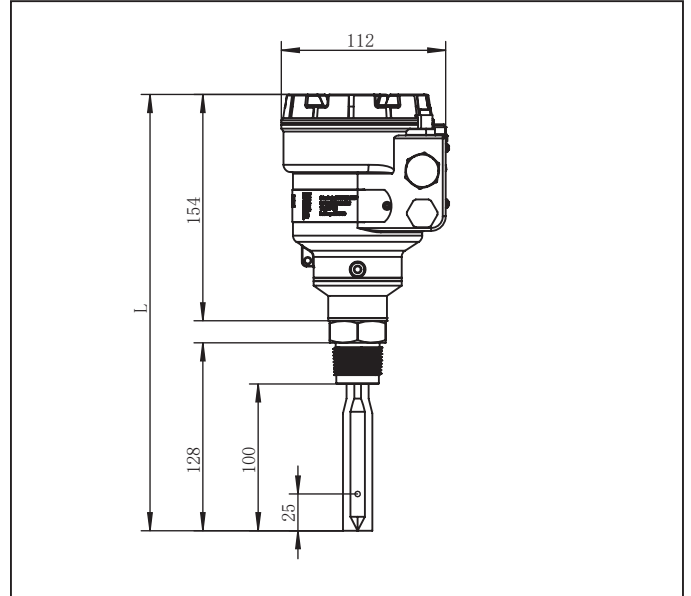
Application	Liquid or powder
Power supply	24VDC/220VAC
Output	DPDT 220VAC 3A
Power	<0.8W(24VDC) <2W(220VAC)
Output	DPDT 220VAC 3A
Start time	3S
Delay	1~20 S
Sensitivity	10 level(adjustable)
Media density	>0.6g/cm ²
Ambient temperature	-30℃ ~ 70℃
Process temperature	-30℃ ~ 150℃
Process pressure	-1.0 kgf/cm ² ~ 20 kgf/cm ²
Process fitting	Thread or flange
Antenna material	SS316L
Protect level	IP67
Electric entry	2XM20*1.5 (cable diameter 9~13mm)

0802-0310-01MISS16040110

Electrical connection

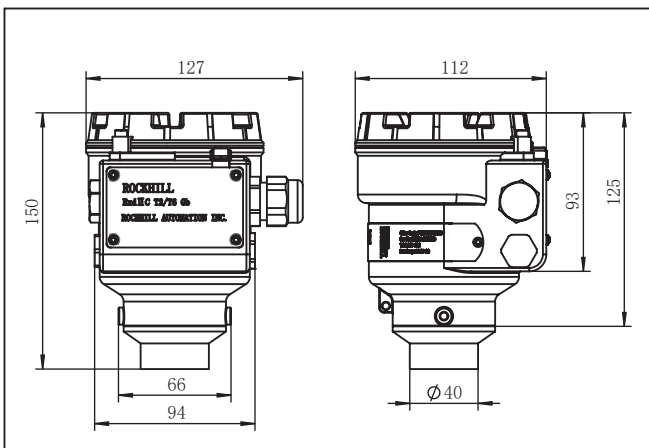


Electronics and terminal compartment, double chamber housing
 1 Voltage supply/Signal output
 2 Ground terminal for connection of the cable screen



Dimensions ROHEVEL-FLS31 with standard probe

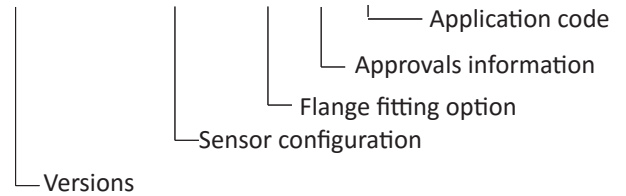
Dimensions



Dimensions ROHEVEL-FLS31 housing

How to order

**ROHEVEL-
 FLS31-A2LA1XXXXDMF 3FB3AX-A-01B**



Approval

- A None
- C Ex ia IIC T6 Ga

Sensor configuration

A 2 L A 1 XXXX D M F

Process fitting

- A 1"NPT
- Z Special thread order
- F Flange

Process pressure(kgf/cm²)

- L M A B C D Z
- 1 1 2.5 6 16 20 Special order

Process temperature

- D -40 ~ 80°C
- E -40 ~ 150°C
- Z Special order

Probe length

XXXX in millimeter

Probe material

- A SS304
- B SS316L
- Z Sepcial order

Probe type

- 1 Doublt fork rod
- 2 Double forl rope

Measuring media

- L Liquid
- S Solid

Power supply/Output

- 2 24VDC DPDT output
- 3 220VAC DPDT output

Housing material

- A Cast alminium
- B Stailless Steel

Flange fitting option

3 F B 3 A X

Counter flange

- X None
- A 304
- B 316L
- C Q235
- Z Special order

Flange material

- A 304
- B 316L
- C Q235
- D PP
- E PTFE
- Z Speical order

Flange surface type

- 2 Solid flange
- 3 RF raised face flange
- 4 FM male and female face flanges
- 5 M male face flanges
- 6 TG tongue and groove face flanges
- 7 FF flat face flange
- 8 RJ ring joint face flanges
- 0 Special order

Flange pressure level

- X Solid flange
- A PN2.5
- B PN10
- C PN16
- D PN25
- E PN40
- F Class150
- G Class300
- H Class600
- I Class900
- Z Special order

Flange sizes

- A 2"(DN50)
- B 3"(DN80)
- C 4"(DN100)
- D 5"(DN125)
- E 6"(DN150)
- F 8"(DN200)
- G 10"(DN250)
- Z Special order

Flange standard

- 2 ANSI B16.5
- 3 EN1092-1
- 4 Solid special flange(8mm)
- 0 Special order